



TLM 103



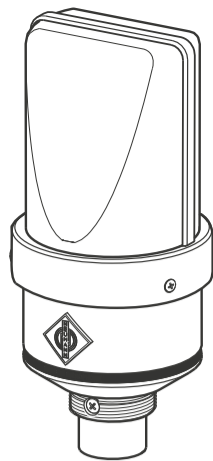
Quick Guide
 Kurzanleitung
 Guide rapide
 Guida rapida
 Guía de inicio rápido
 Pikaohje
 Γρήγορος οδηγός
 Kısa Kılavuz
 Краткая инструкция

Guia rápido
 Beknopte handleiding
 Krótka instrukcja obsługi
 Snabbguide
 Kort vejledning
 快速指南
 クイックガイド
 퀵 가이드

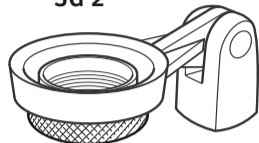
PUBL. 06/18 · 575872/A01

GEORG NEUMANN GMBH · LEIPZIGER STR. 112 · 10117 BERLIN · GERMANY
 TEL +49 (0)30 / 41 77 24 -0 · FAX -50
 HEADOFFICE@NEUMANN.COM · WWW.NEUMANN.COM

TLM 103

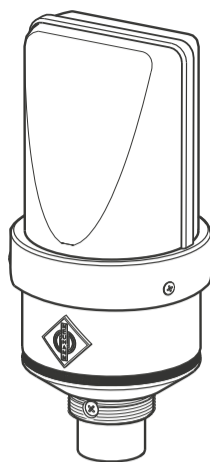


SG 2

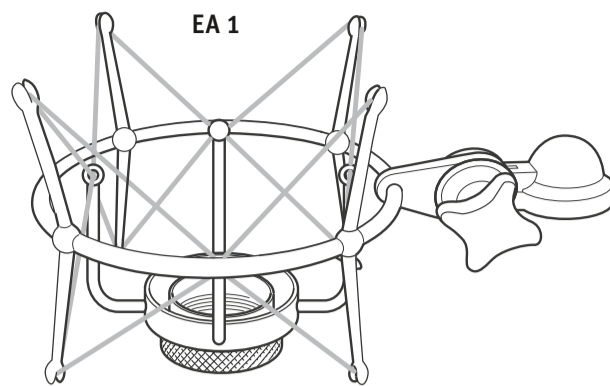


Mono Set | Studio Set

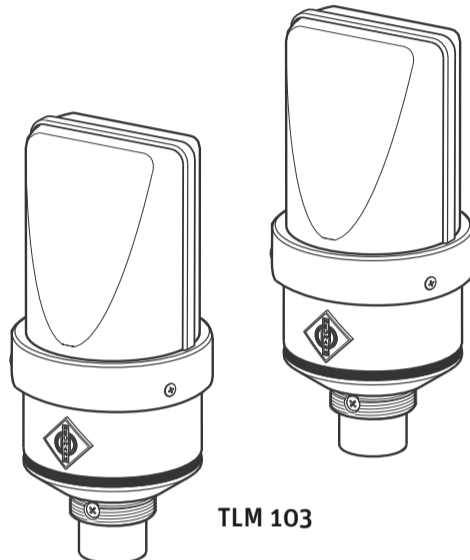
TLM 103



EA 1

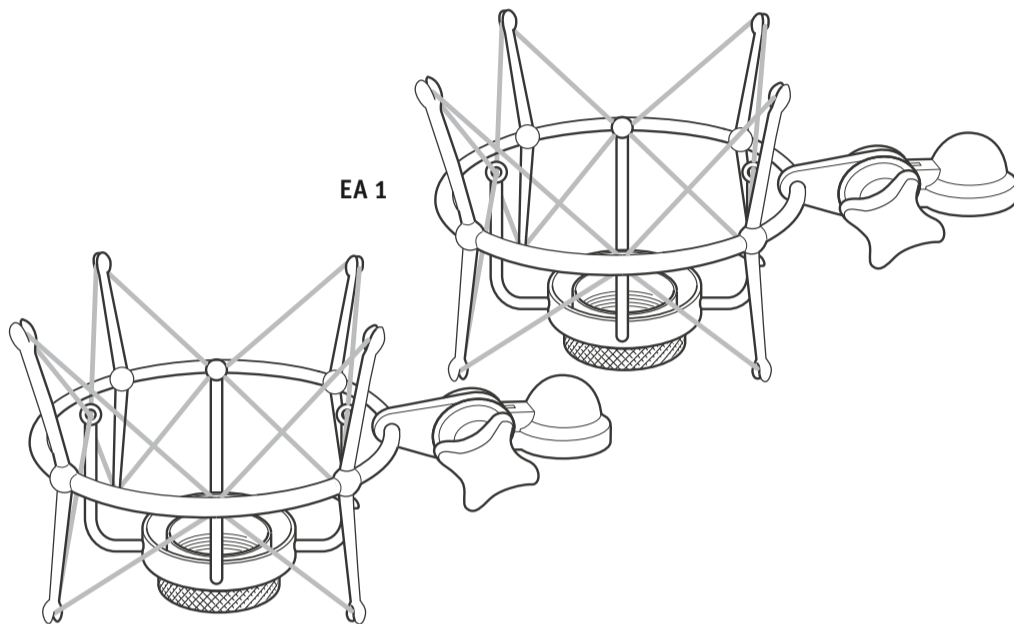


Stereo Set



TLM 103

EA 1



For details on further optional accessories see www.neumann.com



Instruction manual | Bedienungsanleitung | Notice d'emploi |
 Istruzioni per l'uso | Instrucciones de manejo | Manual de
 instruções | Gebruiksaanwijzing | Instrukcja obsługi |
 Bruksanvisning | Betjeningsvejledning | Käyttöohje | Οδηγίες
 λειτουργίας | Kullanım kılavuzu | Инструкция по эксплуатации |
 使用说明书 | 取扱説明書 | 사용 설명서 |

www.neumann.com | TLM 103

Specifications

Acoustic operating principle	Pressure gradient transducer
Directional pattern	Cardioid
Frequency range	20 Hz - 20 kHz
Sensitivity at 1 kHz into 1 kΩ	23 mV/Pa \approx -32.5 dBV \pm 1 dB
Rated impedance	50 Ω
Rated load impedance	1000 Ω
Signal-to-noise ratio, CCIR ¹⁾ (rel. 94 dB SPL)	76.5 dB
Signal-to-noise ratio, A-weighted ¹⁾ (rel. 94 dB SPL)	87 dB
Equivalent noise level, CCIR ¹⁾	17.5 dB
Equivalent noise level, A-weighted ¹⁾	7 dB-A
Maximum SPL for THD \leq 0.5% ²⁾	138 dB
Maximum output voltage	13 dBu
Supply voltage (P48, IEC 61938)	48 V \pm 4 V
Current consumption (P48, IEC 61938)	3 mA
Matching connector	XLR3F
Weight	450 g
Dimensions (diameter / length)	\varnothing 60 mm / 132 mm
Operating temperature range	0 °C - +70 °C (32 °F - 158 °F)
Storage temperature range	-20 °C - +70 °C (-4 °F - 158 °F)
Humidity range	max. 90 % at +20 °C

¹⁾ according to IEC 60268-1; CCIR-weighting according to CCIR 468-3, quasi peak; A-weighting according to IEC 61672-1, RMS
²⁾ measured as equivalent el. input signal

